

Cell frame with quick release fastener



Standard cell frame with quick release fasteners, variant SCF-E-25



Standard cell frame with spring clips, variant SCF-B-25



Tested to VDI 6022

## FITTING OF FILTER ELEMENTS FOR THE SEPARATION OF COARSE AND FINE DUST

Standard cell frames for pocket filters, Mini Pleat filter inserts, activated carbon filter inserts, Mini Pleat filter panels with plastic frames. For installation into ventilation and air conditioning systems

- Highly variable as parts of various dimensions can be combined
- Robust construction
- Total compensation of tolerances due to perimeter groove in standard cell frame
- Cell frames with a groove provide various tensioning options depending on the filter frame depth
- Easy handling and secure sealing due to 4 special clamping elements and a foamed, closed-cell, silicone-free continuous seal
- Meets the hygiene requirements of VDI 6022

Optional equipment and accessories

- Stainless steel construction

## General information

---



Application

- Filter wall for ventilation and air conditioning systems
- Fitting of filter elements for the separation of coarse and fine dust
- Fitting of filter elements for the adsorption of gaseous odorous substances and contaminants
- Filter wall for pocket filters, Mini Pleat filter inserts, activated carbon filter inserts, Mini Pleat filter panels with plastic frames

Nominal sizes

- Number of cell frames - horizontally
- Number of cell frames - vertically

Variants

- B: Standard cell frame with spring clips
- E: Standard cell frame with quick release fasteners
- Tensioning depth: 25 mm

Construction

- GAL: Galvanised steel

- STA: Stainless steel

#### Useful additions

- Suitable filter elements to be ordered separately
- Pocket filters made of non-woven chemical fibres (PFC)
- Pocket filters made of non-woven synthetic fibres (PFS)
- Pocket filters made of NanoWave® medium (PFN)
- Pocket filters made of non-woven glass fibres (PFG)
- Mini Pleat filter inserts (MFI)
- Activated carbon filter inserts (ACFI)
- Mini Pleat filter panels (MFP, construction PLA)

#### Construction features

- 4 clamping elements for secure sealing between the cell frame and the filter elements
- Cell frame with perimeter groove
- Base elements in various sizes
- Standard cell frames of the same size can be combined into a filter wall
- Maximum height: up to 7.5 standard cell frames
- Maximum width: up to 13 standard cell frames

#### Materials and surfaces

- Standard cell frames, installation subframes, and flat steel stiffeners made of galvanised sheet steel or stainless steel

#### Commissioning

- The filter wall consists of individual standard cell frames
- The installation subframe is to be inserted into the groove of the cell frame and bolted into place at the corners
- The flat steel stiffeners provide static stability
- The installation frame is to be sealed to the structure

#### Standards and guidelines

- Hygiene meets the requirements of VDI 6022, VDI 3803, DIN 1946 Part 4, ÖNORM H 6021 and ÖNORM H 6020, SWKI VA 104-01 and SWKI 99-3, and EN 16798

#### Maintenance

- Maintenance-free as construction and materials are not subject to wear

## TECHNICAL INFORMATION

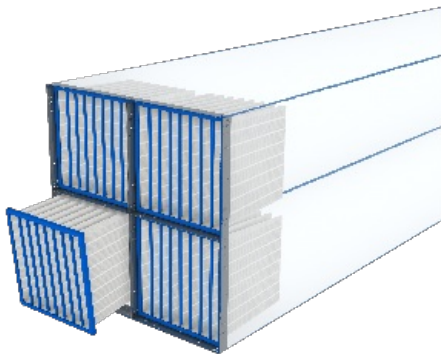
Function, Specification text, Order code

---



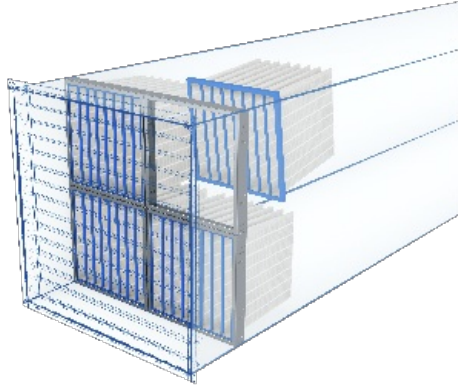
The filter wall consists of individual standard cell frames. The installation subframe is inserted into the groove of the cell frame and bolted into place at the corners. The flat steel stiffeners provide static stability.

### Schematic illustration of SIF-B



Installation with regard to filter change on the upstream side according to applicable guidelines such as VDI 6022.

### Schematic illustration of SIF-B



Installation with regard to filter change on the clean air side if unavoidable due to the construction conditions on site

#### Specification text

Filter wall type SIF for installation into ventilation and air conditioning systems. Fitting of filter elements for the separation of coarse dust and fine dust and for the adsorption of gaseous odorous substances and contaminants. Filter wall consisting of standard cell frames with perimeter groove as base element, installation subframes, and flat steel stiffeners. 4 clamping elements for secure sealing between the cell frame and the filter element. The installation subframe is inserted into the groove of the cell frame and bolted into place at the corners. The flat steel stiffeners provide static stability. The filter wall meets the hygiene requirements of VDI 6022.

#### Materials and surfaces

- Standard cell frames, installation subframes, and flat steel stiffeners made of galvanised sheet steel or stainless steel

#### Construction

- GAL: Galvanised steel
- STA: Stainless steel

SIF - B - 25 - GAL / 2,5 × 2  
 | | | | | | | | | |  
 1 2 3 4 5 6

1 Type  
 SIF Filter wall

2 Variant  
 B Standard cell frame with spring clips  
 E Standard cell frame with quick release fasteners

3 Tensioning depth [mm]  
 25

4 Material  
 GAL Galvanised steel  
 STA Stainless steel

5 Number of cell frames - horizontally  
 1  
 1.5  
 2  
 2.5  
 3  
 3.5  
 4  
 4.5  
 5  
 5.5  
 6

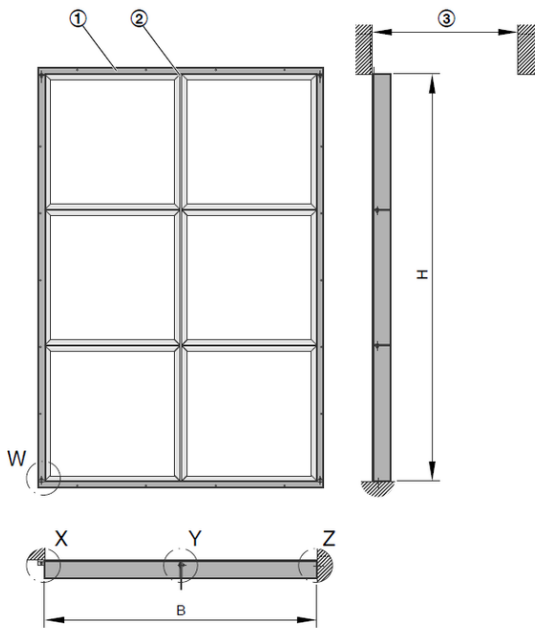
6 Number of cell frames - vertically  
 1  
 1.5  
 2  
 2.5  
 3  
 3.5  
 4  
 4.5  
 5

Dimensions, Product details

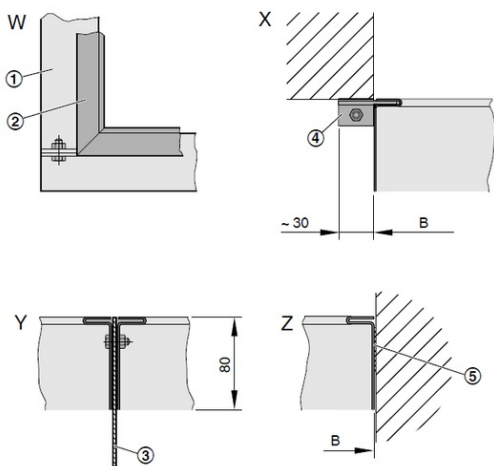


(1)		(2)		(3)			(4)
B	H	horizontal	vertical	592 × 592	287 × 592	592 × 287	kg
610	610	1	1	1	-	-	5
610	915	1	1.5	1	-	1	8
610	1220	1	2	2	-	-	10
610	1525	1	2.5	2	-	1	11
610	1830	1	3	3	-	-	13
610	2135	1	3.5	3	-	1	16
610	2440	1	4	4	-	-	17
919	610	1.5	1	1	1	-	8
919	1220	1.5	2	2	2	-	15

(1)		(2)		(3)			(4)
B	H	horizontal	vertical	592 x 592	287 x 592	592 x 287	kg
919	1830	1.5	3	3	3	-	23
919	2440	1.5	4	4	4	-	29
1225	610	2	1	2	-	-	10
1225	915	2	1.5	2	-	2	15
1225	1220	2	2	4	-	-	18
1225	1525	2	2.5	4	-	2	22
1225	1830	2	3	6	-	-	25
1225	2135	2	3.5	6	-	2	29
1225	2440	2	4	8	-	-	33
1225	2745	2	4.5	8	-	2	40
1225	3050	2	5	10	-	-	43
1535	610	2.5	1	2	1	-	11
1535	1220	2.5	2	4	2	-	24
1535	1830	2.5	3	6	3	-	34
1535	2440	2.5	4	8	4	-	44
1535	3050	2.5	5	10	5	-	61
1840	610	3	1	3	-	-	13
1840	915	3	1.5	3	-	3	23
1840	1220	3	2	6	-	-	26
1840	1525	3	2.5	6	-	3	33
1840	1830	3	3	9	-	-	37
1840	2135	3	3.5	9	-	3	44
1840	2440	3	4	12	-	-	48
1840	2745	3	4.5	12	-	3	60
1840	3050	3	5	15	-	-	64
2145	610	3.5	1	3	1	-	16
2145	1220	3.5	2	6	2	-	32
2145	1830	3.5	3	9	3	-	46
2145	2440	3.5	4	12	4	-	60
2145	3050	3.5	5	15	5	-	83
2450	610	4	1	4	-	-	17
2450	915	4	1.5	4	-	4	30
2450	1220	4	2	8	-	-	35
2450	1525	4	2.5	8	-	4	44
2450	1830	4	3	12	-	-	49
2450	2135	4	3.5	12	-	4	58
2450	2440	4	4	16	-	-	63
2450	2745	4	4.5	16	-	4	81
2450	3050	4	5	20	-	-	87
2763	610	4.5	1	4	1	-	19
2763	1220	4.5	2	8	2	-	40
2763	1830	4.5	3	12	3	-	58
2763	2440	4.5	4	16	4	-	75
2763	3050	4.5	5	20	5	-	104
3068	610	5	1	5	-	-	21
3068	915	5	1.5	5	-	5	37
3068	1220	5	2	10	-	-	43
3068	1525	5	2.5	10	-	5	55
3068	1830	5	3	15	-	-	60
3068	2135	5	3.5	15	-	5	73
3068	2440	5	4	20	-	-	79
3068	2745	5	4.5	20	-	5	101
3068	3050	5	5	25	-	-	108
3377	1220	5.5	2	10	2	-	49
3377	1830	5.5	3	15	3	-	70
3377	2440	5.5	4	20	4	-	90
3377	3050	5.5	5	25	5	-	126
3683	1220	6	2	12	-	-	51
3683	1525	6	2.5	12	-	6	66
3683	1830	6	3	18	-	-	73
3683	2135	6	3.5	18	-	6	87
3683	2440	6	4	24	-	-	94
3683	2745	6	4.5	24	-	6	121
3683	3050	6	5	30	-	-	130



- ① Special installation subframe
  - ② Flat steel stiffener
  - ③ 650 mm minimum space requirement for filter change
- Details W, X, Y, Z



- ① Special installation subframe
- ② Standard cell frame
- ③ Flat steel stiffeners 80 mm deep or 130 mm deep (from H = 2763 mm)
- ④ Installation example with special installation subframe
- ⑤ Installation without special installation subframe



- The filter wall consists of individual standard cell frames
- The installation subframe is to be inserted into the groove of the cell frame and bolted into place at the corners
- The flat steel stiffeners provide static stability
- The installation frame is to be sealed to the structure